

Vernier Depth Gauge 170 Series

Features

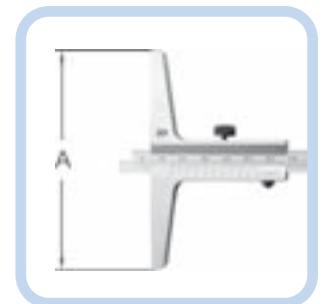
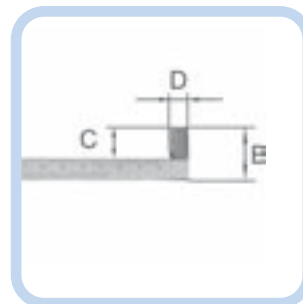
Standard: Factory Standard

- Standard workshop model made of alloyed stainless steel
- Available with hook (H) or without hook (B)
- Screw stop solid slider model
- With laser engraved graduations
- The scale shows mm value
- Measuring surface is micro-lapped



VERNIER DEPTH GAUGE

Code No	Range	Resolution	Length of base (A)
MW170-15	0-150mm	0.02mm - 0.001"	100mm
MW170-15B	0-150mm	0.05mm - 1/128"	100mm
MW170-15H	0-150mm	0.02mm - hook	100mm
MW170-15HI	0-6"	0.001" - hook	100mm
MW170-20	0-200mm	0.02mm - 0.001"	100mm
MW170-20B	0-200mm	0.05mm - 1/128"	100mm
MW170-20H	0-200mm	0.02mm - hook	100mm
MW170-20HI	0-8"	0.001" - hook	100mm
MW170-30	0-300mm	0.02mm - 0.001"	100mm
MW170-30B	0-300mm	0.05mm - 1/128"	100mm
MW170-30H	0-300mm	0.02mm - hook	100mm
MW170-30HI	0-12"	0.001" - hook	100mm
MW170-50B	0-500mm	0.05mm - 1/128"	150mm
MW170-50BI	0-500mm	0.02mm - 0.001"	150mm
MW170-70B	0-750mm	0.05mm - 1/128"	150mm
MW170-70BI	0-750mm	0.02mm - 0.001"	150mm
MW170-75B	0-1000mm	0.05mm - 1/128"	150mm
MW170-75BI	0-1000mm	0.02mm - 0.001"	150mm

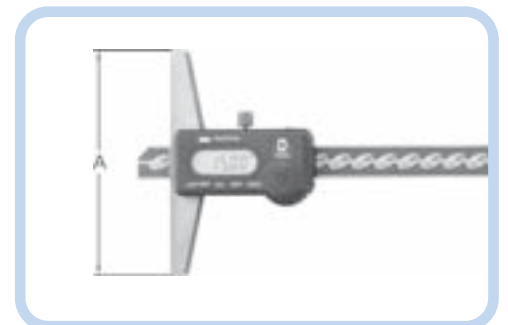


Digitronic Depth Caliper 170 Series

Features

Standard: Factory Standard

- Top quality digital depth caliper
- Available with hook (H) or without hook (B)
- Modern design
- Large 7.5mm character height digital display
- Long life guaranteed
- Ground micro-lapped measuring surfaces
- Functions: mm/inch conversion, on/off, data-output, zero-setting, battery low indication



DIGITRONIC DEPTH CALIPER

Code No	Range	Resolution	Length of jaws (A)
MW170-15DB	0-150mm / 0-6"	0.01mm / 0.0005"	100mm
MW170-15DH	0-150mm / 0-6"	0.01mm / 0.0005"	100mm
MW170-20DB	0-200mm / 0-8"	0.01mm / 0.0005"	100mm
MW170-20DH	0-200mm / 0-8"	0.01mm / 0.0005"	100mm
MW170-30DB	0-300mm / 0-12"	0.01mm / 0.0005"	100mm
MW170-30DH	0-300mm / 0-12"	0.01mm / 0.0005"	100mm

Mechanical Depth Gauge 172 Series

Features:

- 0-25mm travel indicator
- Satin chrome finish
- Rods connect together for full 550mm capacity
- Base size: 100mm
- Includes 2 extra points for small hole applications



MECHANICAL DEPTH GAUGE 172 SERIES

Code No	Capacity	Resolution
MW172-01	0-550mm	0.01mm

Digitronic Depth Gauge 172 Series

Features:

- 0-25mm/0-1" travel indicator
- Inch/mm conversion
- Zero setting at any position
- Rods connect together for full 550mm capacity
- Base size: 100mm
- Includes 2 extra points for small hole applications



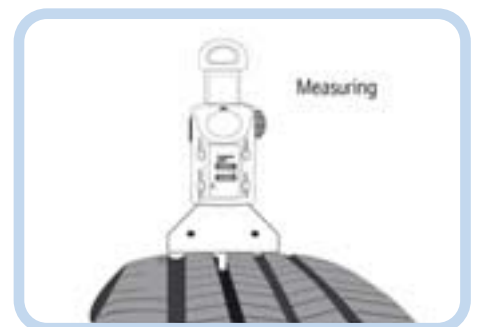
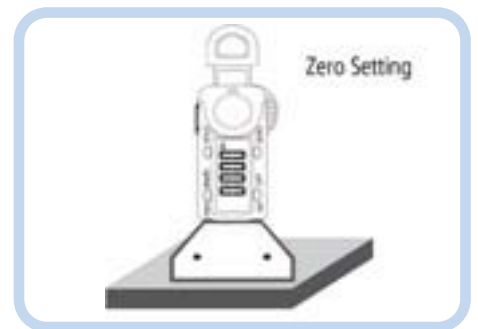
DIGITRONIC DEPTH GAUGE 172 SERIES

Code No	Capacity	Resolution
MW172-01D	0-550mm/0-22"	0.01mm/0.0005"

Digitronic Tyre Profile Gauge 176 Series

Features

- Spring loaded with a hold measurement button for ease of use
- Large LCD display
- Supplied on retail packaging
- Vinyl holder supplied as standard



DIGITRONIC TYRE PROFILE GAUGE

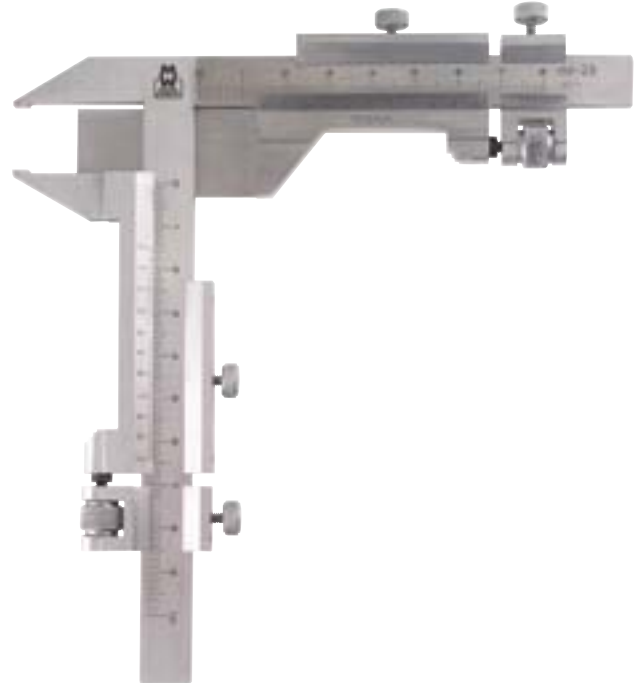
Code No	Range	Resolution
MW176-01DTG	0-25mm/0-1"	0.01mm/0.0005"

Precision Gear Modul Caliper 180 Series

Features

Standard: Factory Standard

- Special vernier caliper for measuring gear modul
- Made of alloyed stainless steel
- With tungsten carbide measuring surfaces
- Chromed scale with engraved mm graduations
- Fine adjustment in both axes
- Packed in wooden case



PRECISION GEAR MODUL CALIPER

Code No	Range
MW180-01	Modul 1 to 26

Precision Welding Vernier Caliper 182 Series

Features

Standard: Factory standard

Digital

- Modern design
- Large 7.5mm character height digital display
- Long life guaranteed
- Functions: mm/inch conversion, on/off, data-output, zero-setting, battery low indication

Analogue

- Simple workshop model with stop screw
- Made of hardened stainless steel
- Engraved mm or inch scale



PRECISION WELDING VERNIER CALIPER

Code No.	Range	Scale	Resolution
Digital			
MW182-01D	60°, 70°, 80° and 90°	mm/inch	0.01mm / 0.0005"
Analogue			
MW182-01	60°, 70°, 80° and 90°	mm	0.01mm